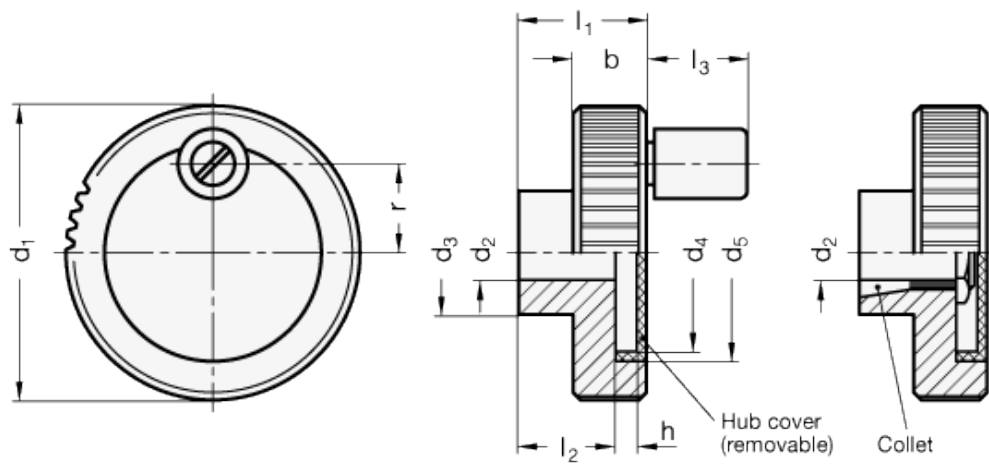


GN 736

Control handwheels



technical informations

Specification

Bore code

- B: without keyway
- K: with keyway
- Z: with collet

Type

- Type A: without handle
- Type D: with revolving handle

Aluminium
anodized, black

Hub cover
Plastic, light grey

Collet / Hexagon nut
Brass

Revolving cylindrical handles GN 599.5
Plastic, Technopolymer
black, matt

Special executions on request (For sufficient quantities)

On the surface of the cap words, marks, graphic symbols, etc... can be tampprinted in colours.

Standard Elements	Main dimensions												Weight
Description	d ₁	d _{2 H8}	d ₃	d ₄	d ₅	b _{-0.5}	h	l ₁	l ₂	l _{3 -}	r	Ø-Handle	g
GN 736-52-B10-A	52	10	22	37	39.5	13	3.8	23	17	-	15.5	-	-
GN 736-52-K10-A	52	10	22	37	39.5	13	3.8	23	17	-	15.5	-	-
GN 736-52-Z10-A	52	10	22	37	39.5	13	3.8	23	17	-	15.5	-	-
GN 736-62-B10-A	62	10	25	47	49.5	13	3.8	23	17	-	20.5	-	-
GN 736-62-K10-A	62	10	25	47	49.5	13	3.8	23	17	-	20.5	-	-
GN 736-62-Z10-A	62	10	25	47	49.5	13	3.8	23	17	-	20.5	-	-
GN 736-52-B10-D	52	10	22	37	39.5	13	3.8	23	17	19	15.5	13	-
GN 736-52-K10-D	52	10	22	37	39.5	13	3.8	23	17	19	15.5	13	-
GN 736-52-Z10-D	52	10	22	37	39.5	13	3.8	23	17	19	20.5	14	-
GN 736-62-B10-D	62	10	25	47	49.5	13	3.8	23	17	21	20.5	14	-
GN 736-62-K10-D	62	10	25	47	49.5	13	3.8	23	17	21	20.5	14	-
GN 736-62-Z10-D	62	10	25	47	49.5	13	3.8	23	17	21	20.5	14	-

This product had the following design awards:



ELESA and GANTER models all rights reserved in accordance with the law. Always mention the source when reproducing our drawings.

STANDARD MACHINE ELEMENTS WORLDWIDE